

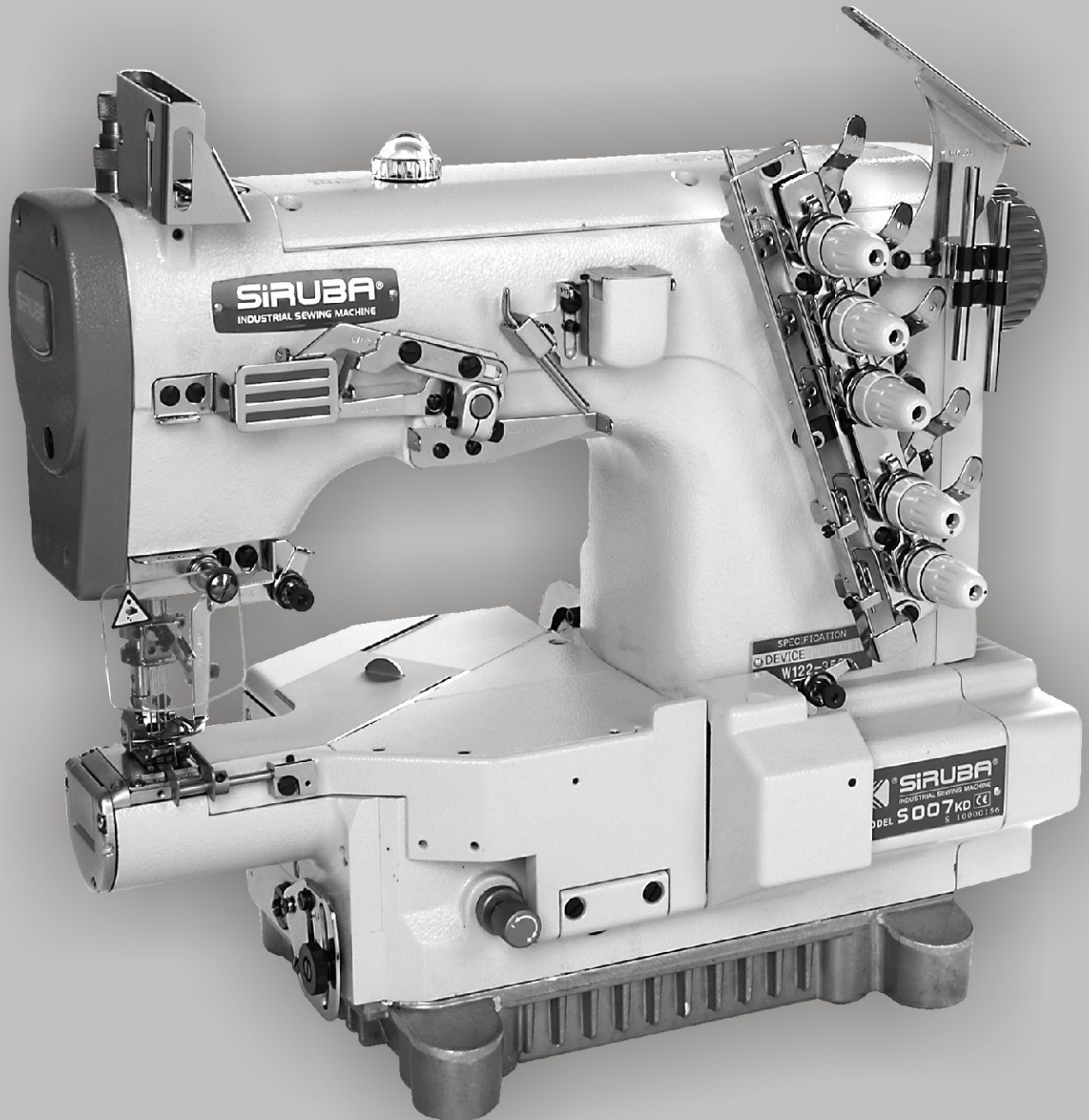
# SIRUBA®

銀箭牌工業用縫紉機

INDUSTRIAL SEWING MACHINE

# S007K/ S007KD

## 零件圖 PARTS LIST



CE



高林股份有限公司  
KAULIN MFG. CO., LTD.

MODEL	SUB-CLASS	NEEDLE CLAMP	NEEDLE PLATE	MAIN FEED DOG	DIFF. FEED DOG	PRESSER FOOT	LOOPER	LOOPER	NEEDLE
機型	規格	針座	針板	主送具	差送具	押具	勾針	上叉	針號
S007K-W122/PCC-3M	240	M5240	E3994K	D4324K	H4387K	P2674-A	MT01	MH41	UYX128GAS #10
	248	M5248	E3995K	D4324K	H4387K	P2674-A			
	356	M5356	E3996K	D4325K	H4379K	P2576-A			
	364	M5364	E3997K	D4325K	H4379K	P2576-A			
S007K-U122/PCC-3M	240	M5240	E3994K	D4324K	H4387K	P2674-A			UYX128GAS #10
	248	M5248	E3995K	D4324K	H4387K	P2674-A			
	356	M5356	E3996K	D4325K	H4379K	P2576-A			
	364	M5364	E3997K	D4325K	H4379K	P2576-A			
S007K-W122/PCC-3M /UTT(UTX)	240	M5240	E3994K	D4324K	H4387K	P2674-A			UYX128GAS #10
	248	M5248	E3995K	D4324K	H4387K	P2674-A			
	356	M5356	E3996K	D4325K	H4379K	P2576-A			
	364	M5364	E3997K	D4325K	H4379K	P2576-A			
S007K-U122/PCC-3M /UTU(UTY)	240	M5240	E3994K	D4324K	H4387K	P2674-A			UYX128GAS #10
	248	M5248	E3995K	D4324K	H4387K	P2674-A			
	356	M5356	E3996K	D4325K	H4379K	P2576-A			
	364	M5364	E3997K	D4325K	H4379K	P2576-A			
S007K-W123/PCC-3M	240	M5240	E4094K	D4324K	H4387K	P2674-A			UYX128GAS #14
	248	M5248	E4095K	D4324K	H4387K	P2674-A			
	356	M5356	E4096K	D4325K	H4379K	P2576-A			
	364	M5364	E4097K	D4325K	H4379K	P2576-A			
S007K-U123/PCC-3M	240	M5240	E4094K	D4324K	H4387K	P2674-A			UYX128GAS #14
	248	M5248	E4095K	D4324K	H4387K	P2674-A			
	356	M5356	E4096K	D4325K	H4379K	P2576-A			
	364	M5364	E4097K	D4325K	H4379K	P2576-A			
S007K-W123/PCC-3M /UTT(UTX)	240	M5240	E4094K	D4324K	H4387K	P2674-A			UYX128GAS #14
	248	M5248	E4095K	D4324K	H4387K	P2674-A			
	356	M5356	E4096K	D4325K	H4379K	P2576-A			
	364	M5364	E4097K	D4325K	H4379K	P2576-A			
S007K-U123/PCC-3M /UTU(UTY)	240	M5240	E4094K	D4324K	H4387K	P2674-A			UYX128GAS #14
	248	M5248	E4095K	D4324K	H4387K	P2674-A			
	356	M5356	E4096K	D4325K	H4379K	P2576-A			
	364	M5364	E4097K	D4325K	H4379K	P2576-A			

規格件表 CONVERSION CHART-1

# 規格件表 CONVERSION CHART-2

MODEL	SUB-CLASS	NEEDLE CLAMP	NEEDLE PLATE	MAIN FEED DOG	DIFF. FEED DOG	PRESSER FOOT	LOOPER	LOOPER	NEEDLE
機型	規格	針座	針板	主送具	差送具	押具	勾針	上叉	針號
S007K-W122/PCD-3M	240	M5240	E3994K	D4324K	H4387K	P2674-A	MT01	MH41	UYX128GAS #10
	248	M5248	E3995K	D4324K	H4387K	P2674-A			
	356	M5356	E3996K	D4325K	H4379K	P2576-A			
	364	M5364	E3997K	D4325K	H4379K	P2576-A			
S007K-U122/PCD-3M	240	M5240	E3994K	D4324K	H4387K	P2674-A			UYX128GAS #10
	248	M5248	E3995K	D4324K	H4387K	P2674-A			
	356	M5356	E3996K	D4325K	H4379K	P2576-A			
	364	M5364	E3997K	D4325K	H4379K	P2576-A			
S007K-W122/PCD-3M /UTT(UTX)	240	M5240	E3994K	D4324K	H4387K	P2674-A			UYX128GAS #10
	248	M5248	E3995K	D4324K	H4387K	P2674-A			
	356	M5356	E3996K	D4325K	H4379K	P2576-A			
	364	M5364	E3997K	D4325K	H4379K	P2576-A			
S007K-U122/PCD-3M /UTU(UTY)	240	M5240	E3994K	D4324K	H4387K	P2674-A			UYX128GAS #10
	248	M5248	E3995K	D4324K	H4387K	P2674-A			
	356	M5356	E3996K	D4325K	H4379K	P2576-A			
	364	M5364	E3997K	D4325K	H4379K	P2576-A			
S007K-W123/PCD-3M	240	M5240	E4094K	D4324K	H4387K	P2674-A			UYX128GAS #14
	248	M5248	E4095K	D4324K	H4387K	P2674-A			
	356	M5356	E4096K	D4325K	H4379K	P2576-A			
	364	M5364	E4097K	D4325K	H4379K	P2576-A			
S007K-U123/PCD-3M	240	M5240	E4094K	D4324K	H4387K	P2674-A			UYX128GAS #14
	248	M5248	E4095K	D4324K	H4387K	P2674-A			
	356	M5356	E4096K	D4325K	H4379K	P2576-A			
	364	M5364	E4097K	D4325K	H4379K	P2576-A			
S007K-W123/PCD-3M /UTT(UTX)	240	M5240	E4094K	D4324K	H4387K	P2674-A			UYX128GAS #14
	248	M5248	E4095K	D4324K	H4387K	P2674-A			
	356	M5356	E4096K	D4325K	H4379K	P2576-A			
	364	M5364	E4097K	D4325K	H4379K	P2576-A			
S007K-U123/PCD-3M /UTU(UTY)	240	M5240	E4094K	D4324K	H4387K	P2674-A			UYX128GAS #14
	248	M5248	E4095K	D4324K	H4387K	P2674-A			
	356	M5356	E4096K	D4325K	H4379K	P2576-A			
	364	M5364	E4097K	D4325K	H4379K	P2576-A			

MODEL 機型	SUB-CLASS 規格	NEEDLE CLAMP 針座	NEEDLE PLATE 針板	MAIN FEED DOG 主送具	DIFF. FEED DOG 差送具	PRESSER FOOT 押具	LOOPER 勾針	LOOPER 上叉	NEEDLE 針號
S007K-W122/PCH-3M	240	M5240	E3994K	D4324K	H4387K	P2674-A	MT01	MH41	UYX128GAS #10
	248	M5248	E3995K	D4324K	H4387K	P2674-A			
	356	M5356	E3996K	D4325K	H4379K	P2576-A			
	364	M5364	E3997K	D4325K	H4379K	P2576-A			
S007K-U122/PCH-3M /UTT(UTX)	240	M5240	E3994K	D4324K	H4387K	P2674-A	MT01	—	UYX128GAS #10
	248	M5248	E3995K	D4324K	H4387K	P2674-A			
	356	M5356	E3996K	D4325K	H4379K	P2576-A			
	364	M5364	E3997K	D4325K	H4379K	P2576-A			
S007K-U122/PCH-3M /UTU(UTY)	240	M5240	E3994K	D4324K	H4387K	P2674-A	MT01	MH41	UYX128GAS #10
	248	M5248	E3995K	D4324K	H4387K	P2674-A			
	356	M5356	E3996K	D4325K	H4379K	P2576-A			
	364	M5364	E3997K	D4325K	H4379K	P2576-A			
S007K-W123/PCH-3M	240	M5240	E4094K	D4324K	H4387K	P2674-A	MT01	MH41	UYX128GAS #14
	248	M5248	E4095K	D4324K	H4387K	P2674-A			
	356	M5356	E4096K	D4325K	H4379K	P2576-A			
	364	M5364	E4097K	D4325K	H4379K	P2576-A			
S007K-U123/PCH-3M /UTT(UTX)	240	M5240	E4094K	D4324K	H4387K	P2674-A	MT01	—	UYX128GAS #14
	248	M5248	E4095K	D4324K	H4387K	P2674-A			
	356	M5356	E4096K	D4325K	H4379K	P2576-A			
	364	M5364	E4097K	D4325K	H4379K	P2576-A			
S007K-U123/PCH-3M /UTU(UTY)	240	M5240	E4094K	D4324K	H4387K	P2674-A	MT01	MH41	UYX128GAS #14
	248	M5248	E4095K	D4324K	H4387K	P2674-A			
	356	M5356	E4096K	D4325K	H4379K	P2576-A			
	364	M5364	E4097K	D4325K	H4379K	P2576-A			

# 規格件表 CONVERSION CHART-4

MODEL	SUB-CLASS	NEEDLE CLAMP	NEEDLE PLATE	MAIN FEED DOG	DIFF. FEED DOG	PRESSER FOOT	LOOPER	LOOPER	NEEDLE
機型	規格	針座	針板	主送具	差送具	押具	勾針	上叉	針號
S007K-W322/PCE	240	M5240	E3964K	D4324K	H4487K	H4307K	MT01	MH41	UYX128GAS #10
	248	M5248	E3965K	D4324K	H4487K	H4307K			
	356	M5356	E3966K	D4325K	H4479K	H4308K			
	364	M5364	E3967K	D4325K	H4479K	H4308K			
S007K-U322/PCE	240	M5240	E3964K	D4324K	H4487K	H4307K	MT01	—	UYX128GAS #10
	248	M5248	E3965K	D4324K	H4487K	H4307K			
	356	M5356	E3966K	D4325K	H4479K	H4308K			
	364	M5364	E3967K	D4325K	H4479K	H4308K			
S007K-W322/PCE /UTT(UTX)	240	M5240	E3964K	D4324K	H4487K	H4307K	MT01	MH41	UYX128GAS #10
	248	M5248	E3965K	D4324K	H4487K	H4307K			
	356	M5356	E3966K	D4325K	H4479K	H4308K			
	364	M5364	E3967K	D4325K	H4479K	H4308K			
S007K-U322/PCE /UTU(UTY)	240	M5240	E3964K	D4324K	H4487K	H4307K	MT01	—	UYX128GAS #10
	248	M5248	E3965K	D4324K	H4487K	H4307K			
	356	M5356	E3966K	D4325K	H4479K	H4308K			
	364	M5364	E3967K	D4325K	H4479K	H4308K			
S007K-W323/PCE	248	M5248	E4064K	D4324K	H4487K	H4307K	MT01	MH41	UYX128GAS #14
	356	M5356	E4065K	D4324K	H4487K	H4307K			
	364	M5364	E4066K	D4325K	H4479K	H4308K			
	364	M5364	E4067K	D4325K	H4479K	H4308K			
S007K-U323/PCE	240	M5240	E4064K	D4324K	H4487K	H4307K	MT01	—	UYX128GAS #14
	248	M5248	E4065K	D4324K	H4487K	H4307K			
	356	M5356	E4066K	D4325K	H4479K	H4308K			
	364	M5364	E4067K	D4325K	H4479K	H4308K			
S007K-W323/PCE /UTT(UTX)	240	M5240	E4064K	D4324K	H4487K	H4307K	MT01	MH41	UYX128GAS #14
	248	M5248	E4065K	D4324K	H4487K	H4307K			
	356	M5356	E4066K	D4325K	H4479K	H4308K			
	364	M5364	E4067K	D4325K	H4479K	H4308K			
S007K-U323/PCE /UTU(UTY)	240	M5240	E4064K	D4324K	H4487K	H4307K	MT01	—	UYX128GAS #14
	248	M5248	E4065K	D4324K	H4487K	H4307K			
	356	M5356	E4066K	D4325K	H4479K	H4308K			
	364	M5364	E4067K	D4325K	H4479K	H4308K			
S007K-W922/CW	456	M5456	E4076K	D4325K	H4379K	H4308K	MT01B	MH41	SMX1014B #10
	460	M5460	E4077K	D4325K	H4379K	H4308K			
	464	M5464	E4078K	D4325K	H4379K	H4308K			
	464	M5464	E4078K	D4325K	H4379K	H4308K			

MODEL 機型	SUB-CLASS 規格	NEEDLE CLAMP 針座	NEEDLE PLATE 針板	MAIN FEED DOG 主送具	DIFF. FEED DOG 差送具	PRESSER FOOT 押具	LOOPER 勾針	LOOPER 上叉	NEEDLE 針號	Motor 馬達
S007KD-W122/PCC-3M	240	M5240	E3994K	D4324K	H4387K	P2674-A	MT01	MH41	UYX128GAS #10	馬達
	248	M5248	E3995K	D4324K	H4387K	P2674-A				
	356	M5356	E3996K	D4325K	H4379K	P2576-A				
	364	M5364	E3997K	D4325K	H4379K	P2576-A				
S007KD-U122/PCC-3M	240	M5240	E3994K	D4324K	H4387K	P2674-A	MT01	—	UYX128GAS #10	馬達
	248	M5248	E3995K	D4324K	H4387K	P2674-A				
	356	M5356	E3996K	D4325K	H4379K	P2576-A				
	364	M5364	E3997K	D4325K	H4379K	P2576-A				
S007KD-W122/PCC-3M /UTT(UTX)	240	M5240	E3994K	D4324K	H4387K	P2674-A	MT01	MH41	UYX128GAS #10	馬達
	248	M5248	E3995K	D4324K	H4387K	P2674-A				
	356	M5356	E3996K	D4325K	H4379K	P2576-A				
	364	M5364	E3997K	D4325K	H4379K	P2576-A				
S007KD-U122/PCC-3M /UTU(UTY)	240	M5240	E3994K	D4324K	H4387K	P2674-A	MT01	—	UYX128GAS #10	馬達
	248	M5248	E3995K	D4324K	H4387K	P2674-A				
	356	M5356	E3996K	D4325K	H4379K	P2576-A				
	364	M5364	E3997K	D4325K	H4379K	P2576-A				
S007KD-W123/PCC-3M	240	M5240	E4094K	D4324K	H4387K	P2674-A	MT01	MH41	UYX128GAS #14	馬達
	248	M5248	E4095K	D4324K	H4387K	P2674-A				
	356	M5356	E4096K	D4325K	H4379K	P2576-A				
	364	M5364	E4097K	D4325K	H4379K	P2576-A				
S007KD-U123/PCC-3M	240	M5240	E4094K	D4324K	H4387K	P2674-A	MT01	—	UYX128GAS #14	馬達
	248	M5248	E4095K	D4324K	H4387K	P2674-A				
	356	M5356	E4096K	D4325K	H4379K	P2576-A				
	364	M5364	E4097K	D4325K	H4379K	P2576-A				
S007KD-W123/PCC-3M /UTT(UTX)	240	M5240	E4094K	D4324K	H4387K	P2674-A	MT01	MH41	UYX128GAS #14	馬達
	248	M5248	E4095K	D4324K	H4387K	P2674-A				
	356	M5356	E4096K	D4325K	H4379K	P2576-A				
	364	M5364	E4097K	D4325K	H4379K	P2576-A				
S007KD-U123/PCC-3M /UTU(UTY)	240	M5240	E4094K	D4324K	H4387K	P2674-A	MT01	—	UYX128GAS #14	馬達
	248	M5248	E4095K	D4324K	H4387K	P2674-A				
	356	M5356	E4096K	D4325K	H4379K	P2576-A				
	364	M5364	E4097K	D4325K	H4379K	P2576-A				

規格件表 CONVERSION CHART-5

# 規格件表 CONVERSION CHART-6

MODEL	SUB-CLASS	NEEDLE CLAMP	NEEDLE PLATE	MAIN FEED DOG	DIFF. FEED DOG	PRESSER FOOT	LOOPER	LOOPER	NEEDLE	Motor
機型	規格	針座	針板	主送具	差送具	押具	勾針	上叉	針號	馬達
S007KD-W122/PCD-3M	240	M5240	E3994K	D4324K	H4307K	P2674-A	MT01	MH41	UYX128GAS #10	□ T501HE
	248	M5248	E3995K	D4324K	H4307K	P2674-A	—	—	UYX128GAS #10	
	356	M5356	E3996K	D4325K	H4308K	P2576-A	MT01	—	UYX128GAS #10	
	364	M5364	E3997K	D4325K	H4308K	P2576-A	—	—	UYX128GAS #10	
S007KD-U122/PCD-3M	240	M5240	E3994K	D4324K	H4307K	P2674-A	MT01	MH41	UYX128GAS #10	□ T501HE
	248	M5248	E3995K	D4324K	H4307K	P2674-A	—	—	UYX128GAS #10	
	356	M5356	E3996K	D4325K	H4308K	P2576-A	MT01	—	UYX128GAS #10	
	364	M5364	E3997K	D4325K	H4308K	P2576-A	—	—	UYX128GAS #10	
S007KD-W123/PCD-3M	240	M5240	E4094K	D4324K	H4307K	P2674-A	MT01	MH41	UYX128GAS #14	□ T501HE
	248	M5248	E4095K	D4324K	H4307K	P2674-A	—	—	UYX128GAS #14	
	356	M5356	E4096K	D4325K	H4308K	P2576-A	MT01	—	UYX128GAS #14	
	364	M5364	E4097K	D4325K	H4308K	P2576-A	—	—	UYX128GAS #14	
S007KD-W123/PCD-3M	240	M5240	E4094K	D4324K	H4307K	P2674-A	MT01	MH41	UYX128GAS #14	□ T501HE
	248	M5248	E4095K	D4324K	H4307K	P2674-A	—	—	UYX128GAS #14	
	356	M5356	E4096K	D4325K	H4308K	P2576-A	MT01	—	UYX128GAS #14	
	364	M5364	E4097K	D4325K	H4308K	P2576-A	—	—	UYX128GAS #14	
S007KD-U123/PCD-3M	240	M5240	E4094K	D4324K	H4307K	P2674-A	MT01	MH41	UYX128GAS #14	□ T501HE
	248	M5248	E4095K	D4324K	H4307K	P2674-A	—	—	UYX128GAS #14	
	356	M5356	E4096K	D4325K	H4308K	P2576-A	MT01	—	UYX128GAS #14	
	364	M5364	E4097K	D4325K	H4308K	P2576-A	—	—	UYX128GAS #14	
S007KD-U123/PCD-3M	240	M5240	E4094K	D4324K	H4307K	P2674-A	MT01	MH41	UYX128GAS #14	□ T501HE
	248	M5248	E4095K	D4324K	H4307K	P2674-A	—	—	UYX128GAS #14	
	356	M5356	E4096K	D4325K	H4308K	P2576-A	MT01	—	UYX128GAS #14	
	364	M5364	E4097K	D4325K	H4308K	P2576-A	—	—	UYX128GAS #14	

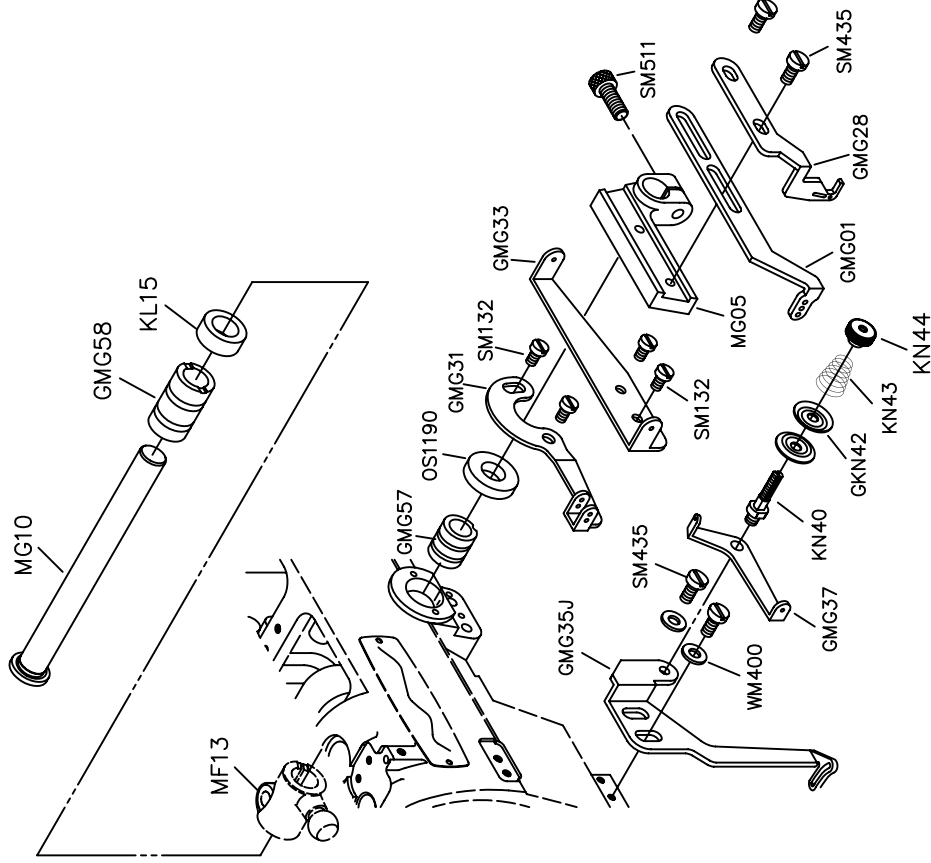
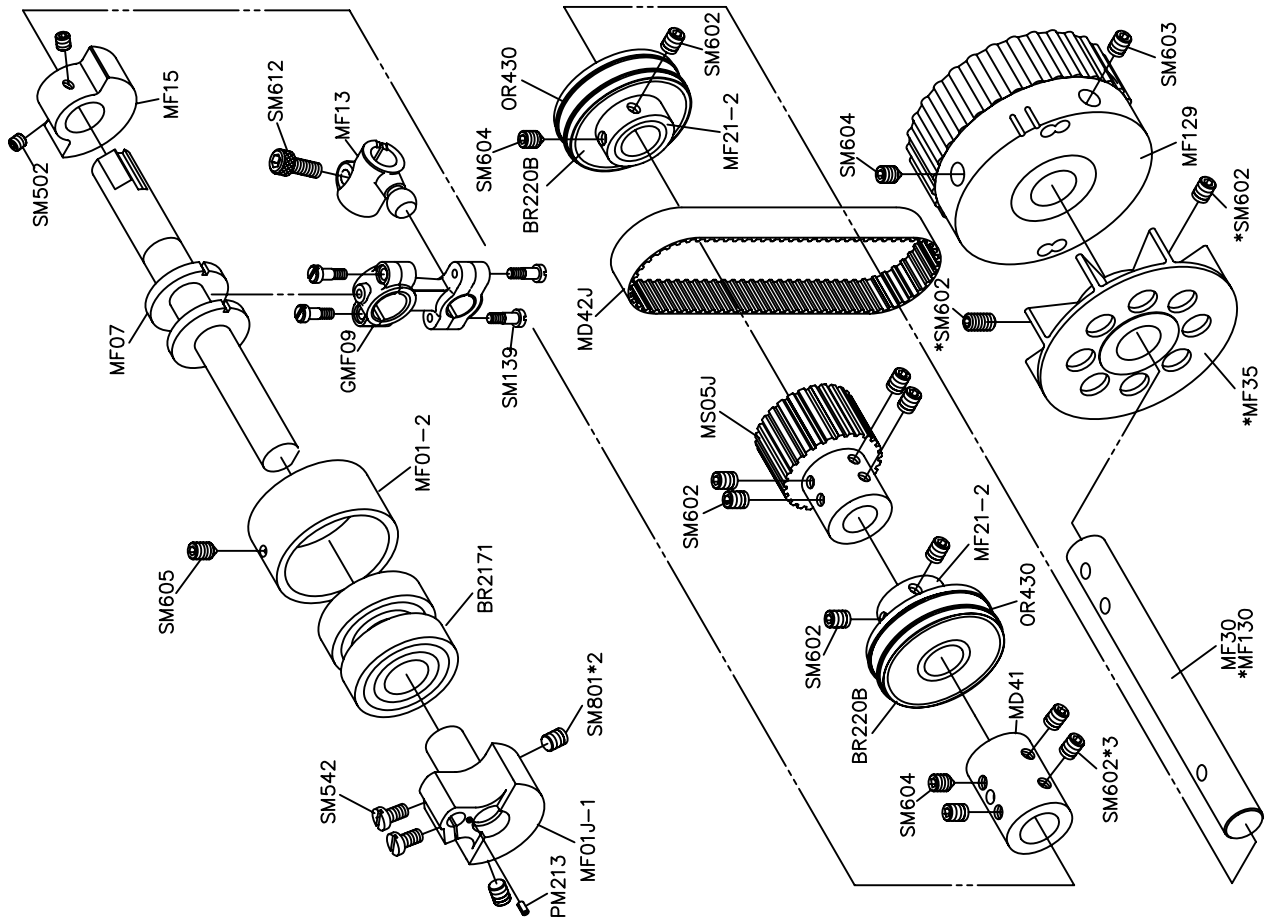
MODEL 機型	SUB-CLASS 規格	NEEDLE CLAMP 針座	NEEDLE PLATE 針板	MAIN FEED DOG 主送具	DIFF. FEED DOG 差送具	PRESSER FOOT 押具	LOOPER 勾針	LOOPER 上叉	NEEDLE 針號	Motor 馬達
S007KD-W122/PCH-3M	240	M5240	E3994K	D4324K	H4387K	P2674-A	MT01	MH41	UYX128GAS #10	T501HE
	248	M5248	E3995K	D4324K	H4387K	P2674-A	—	—	UYX128GAS #10	
	356	M5356	E3996K	D4325K	H4379K	P2576-A	MT01	—	UYX128GAS #10	
	364	M5364	E3997K	D4325K	H4379K	P2576-A	MT01	—	UYX128GAS #10	
S007KD-U122/PCH-3M	240	M5240	E3994K	D4324K	H4387K	P2674-A	MT01	—	UYX128GAS #10	T501HE
	248	M5248	E3995K	D4324K	H4387K	P2674-A	MT01	—	UYX128GAS #10	
	356	M5356	E3996K	D4325K	H4379K	P2576-A	MT01	—	UYX128GAS #10	
	364	M5364	E3997K	D4325K	H4379K	P2576-A	MT01	—	UYX128GAS #10	
S007KD-U122/PCH-3M	240	M5240	E3994K	D4324K	H4387K	P2674-A	MT01	—	UYX128GAS #10	T501HE
	248	M5248	E3995K	D4324K	H4387K	P2674-A	—	—	UYX128GAS #10	
	356	M5356	E3996K	D4325K	H4379K	P2576-A	MT01	—	UYX128GAS #10	
	364	M5364	E3997K	D4325K	H4379K	P2576-A	MT01	—	UYX128GAS #10	
S007KD-W123/PCH-3M	240	M5240	E4094K	D4324K	H4387K	P2674-A	MT01	MH41	UYX128GAS #14	T501HE
	248	M5248	E4095K	D4324K	H4387K	P2674-A	—	—	UYX128GAS #14	
	356	M5356	E4096K	D4325K	H4379K	P2576-A	MT01	—	UYX128GAS #14	
	364	M5364	E4097K	D4325K	H4379K	P2576-A	MT01	—	UYX128GAS #14	
S007KD-U123/PCH-3M	240	M5240	E4094K	D4324K	H4387K	P2674-A	MT01	MH41	UYX128GAS #14	T501HE
	248	M5248	E4095K	D4324K	H4387K	P2674-A	—	—	UYX128GAS #14	
	356	M5356	E4096K	D4325K	H4379K	P2576-A	MT01	—	UYX128GAS #14	
	364	M5364	E4097K	D4325K	H4379K	P2576-A	MT01	—	UYX128GAS #14	
S007KD-U123/PCH-3M	240	M5240	E4094K	D4324K	H4387K	P2674-A	MT01	MH41	UYX128GAS #14	T501HE
	248	M5248	E4095K	D4324K	H4387K	P2674-A	—	—	UYX128GAS #14	
	356	M5356	E4096K	D4325K	H4379K	P2576-A	MT01	—	UYX128GAS #14	
	364	M5364	E4097K	D4325K	H4379K	P2576-A	MT01	—	UYX128GAS #14	

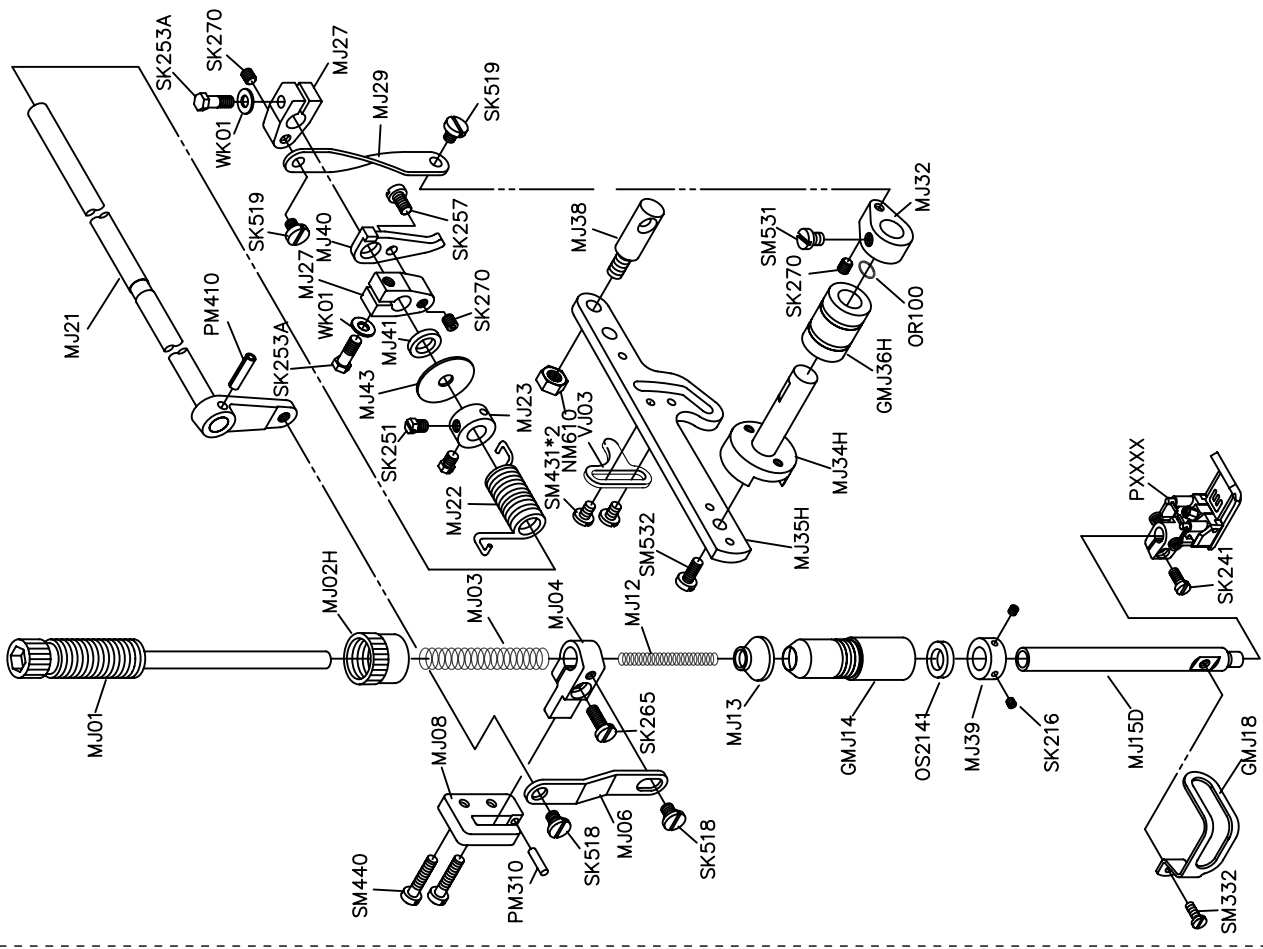
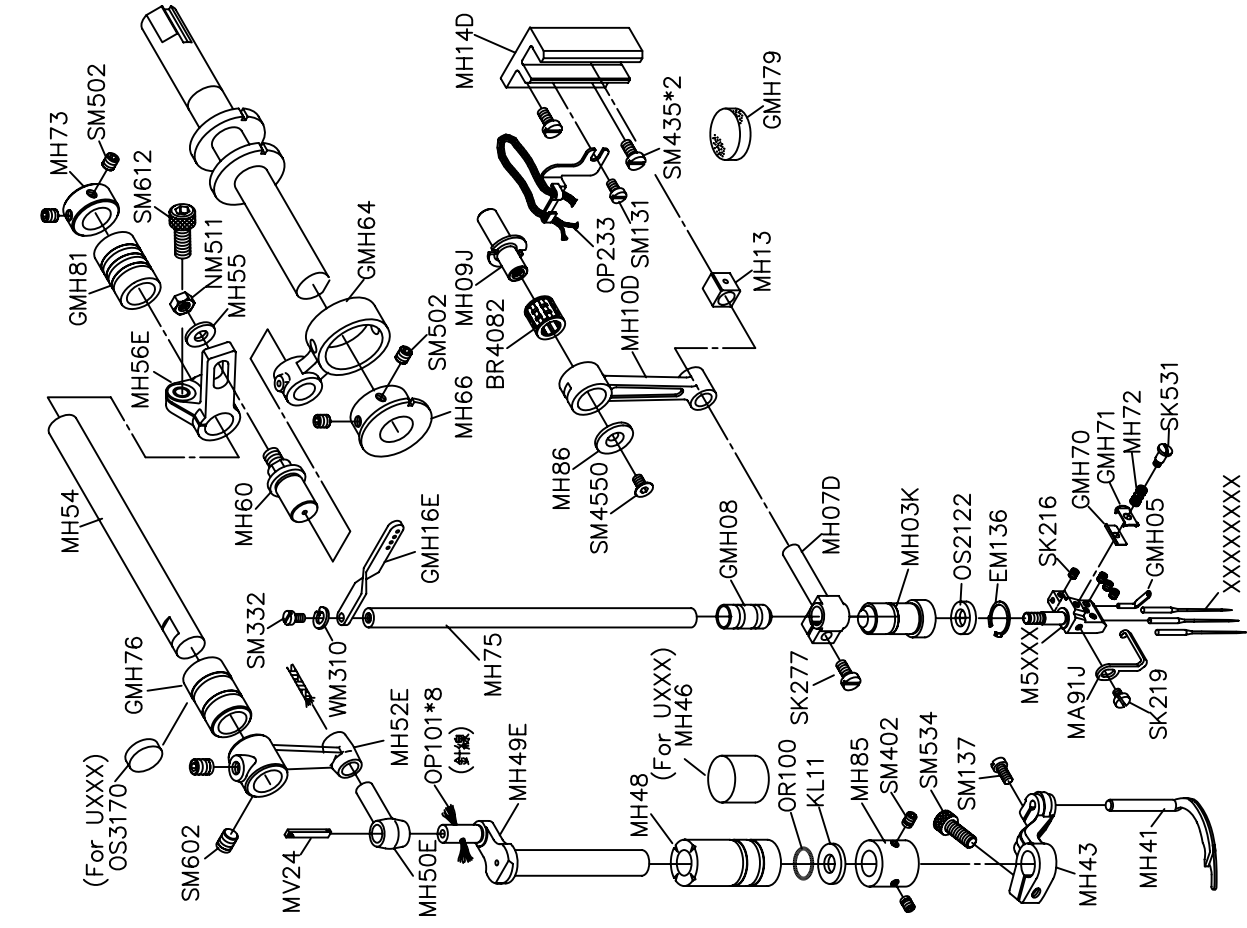
規格件表 CONVERSION CHART-7

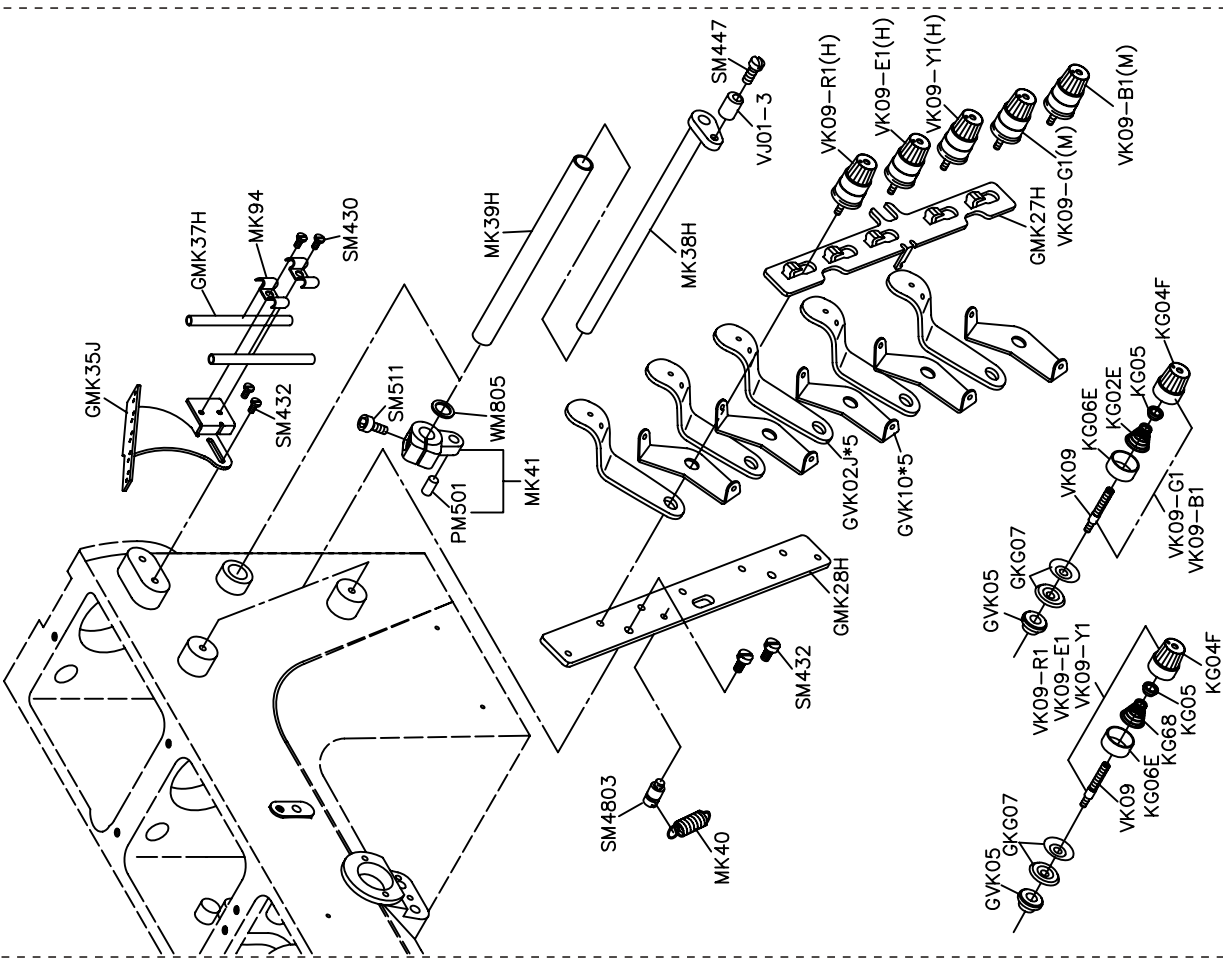


# 規格件表 CONVERSION CHART-8

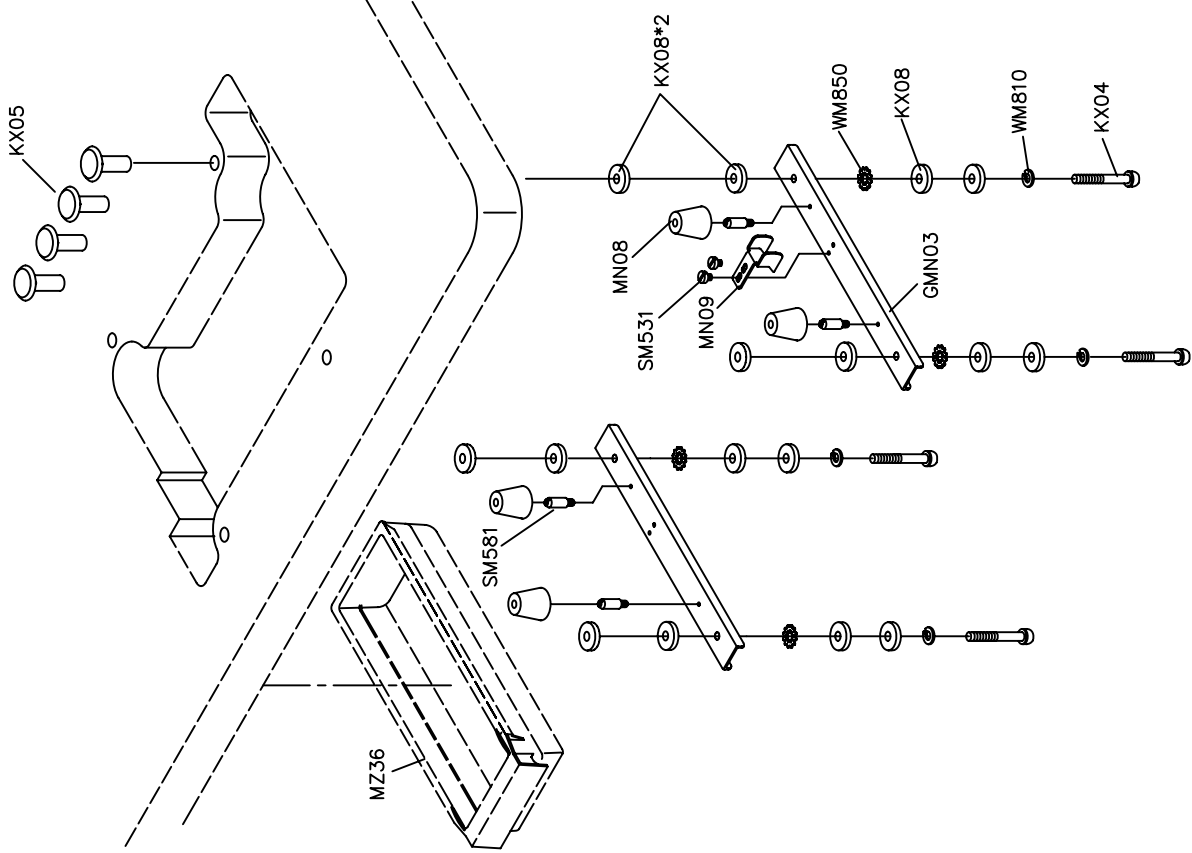
MODEL	SUB-CLASS	NEEDLE CLAMP	NEEDLE PLATE	MAIN FEED DOG	DIFF. FEED DOG	PRESSER FOOT	LOOPER	LOOPER	NEEDLE	Motor
機型	規格	針座	針板	主送具	差送具	押具	勾針	上叉	針號	馬達
S007KD-W322/PCE	240	M5240	E3964K	D4324K	H4487K	P2674-A	MT01	MH41	UYX128GAS #10	☐T501HE
	248	M5248	E3965K	D4324K	H4487K	P2674-A	—	—	—	
	356	M5356	E3966K	D4325K	H4479K	P2576-A	—	—	—	
	364	M5364	E3967K	D4325K	H4479K	P2576-A	—	—	—	
S007KD-U322/PCE	240	M5240	E3964K	D4324K	H4487K	P2674-A	MT01	MH41	UYX128GAS #10	☐T501HE
	248	M5248	E3965K	D4324K	H4487K	P2674-A	—	—	—	
	356	M5356	E3966K	D4325K	H4479K	P2576-A	—	—	—	
	364	M5364	E3967K	D4325K	H4479K	P2576-A	—	—	—	
S007KD-W323/PCE	240	M5240	E4064K	D4324K	H4487K	P2674-A	MT01	MH41	UYX128GAS #14	☐T501HE
	248	M5248	E4065K	D4324K	H4487K	P2674-A	—	—	—	
	356	M5356	E4066K	D4325K	H4479K	P2576-A	—	—	—	
	364	M5364	E4067K	D4325K	H4479K	P2576-A	—	—	—	
S007KD-U323/PCE	240	M5240	E4064K	D4324K	H4487K	P2674-A	MT01	MH41	UYX128GAS #14	☐T501HE
	248	M5248	E4065K	D4324K	H4487K	P2674-A	—	—	—	
	356	M5356	E4066K	D4325K	H4479K	P2576-A	—	—	—	
	364	M5364	E4067K	D4325K	H4479K	P2576-A	—	—	—	
S007KD-U323/PCE	240	M5240	E4064K	D4324K	H4487K	P2674-A	MT01	MH41	UYX128GAS #14	☐T501HE
	248	M5248	E4065K	D4324K	H4487K	P2674-A	—	—	—	
	356	M5356	E4066K	D4325K	H4479K	P2576-A	—	—	—	
	364	M5364	E4067K	D4325K	H4479K	P2576-A	—	—	—	
S007KD-W922/CW	456	M5456	E4076K	D4325K	H4379K	P2628-A	MT01B	MH41	SMX1014B #10	☐T501HE
	460	M5460	E4077K	D4325K	H4379K	P2638-A	—	—	—	
	464	M5464	E4078K	D4325K	H4379K	P2648-A	—	—	—	





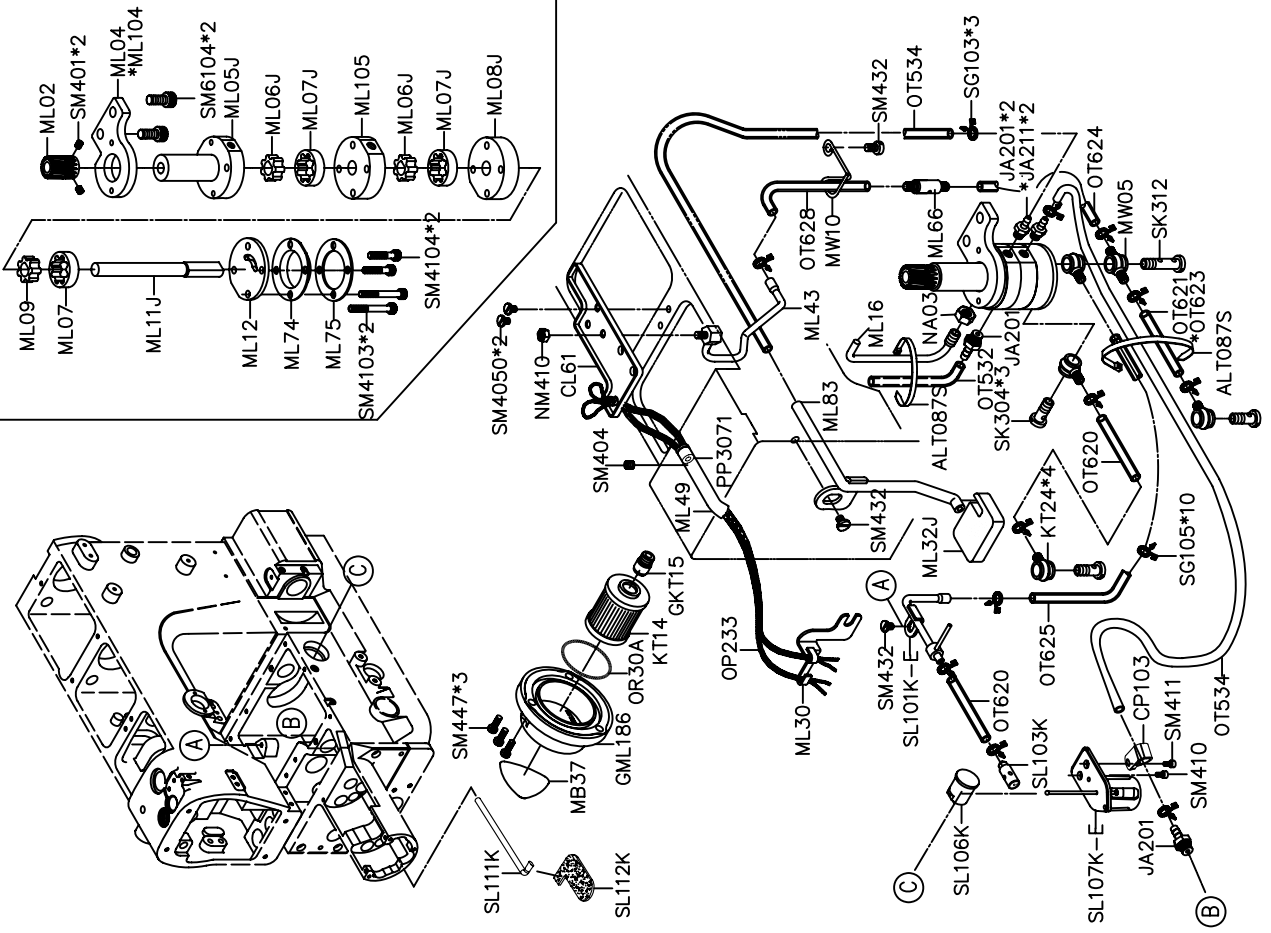


**PARTS LIST FOR MK GROUP**

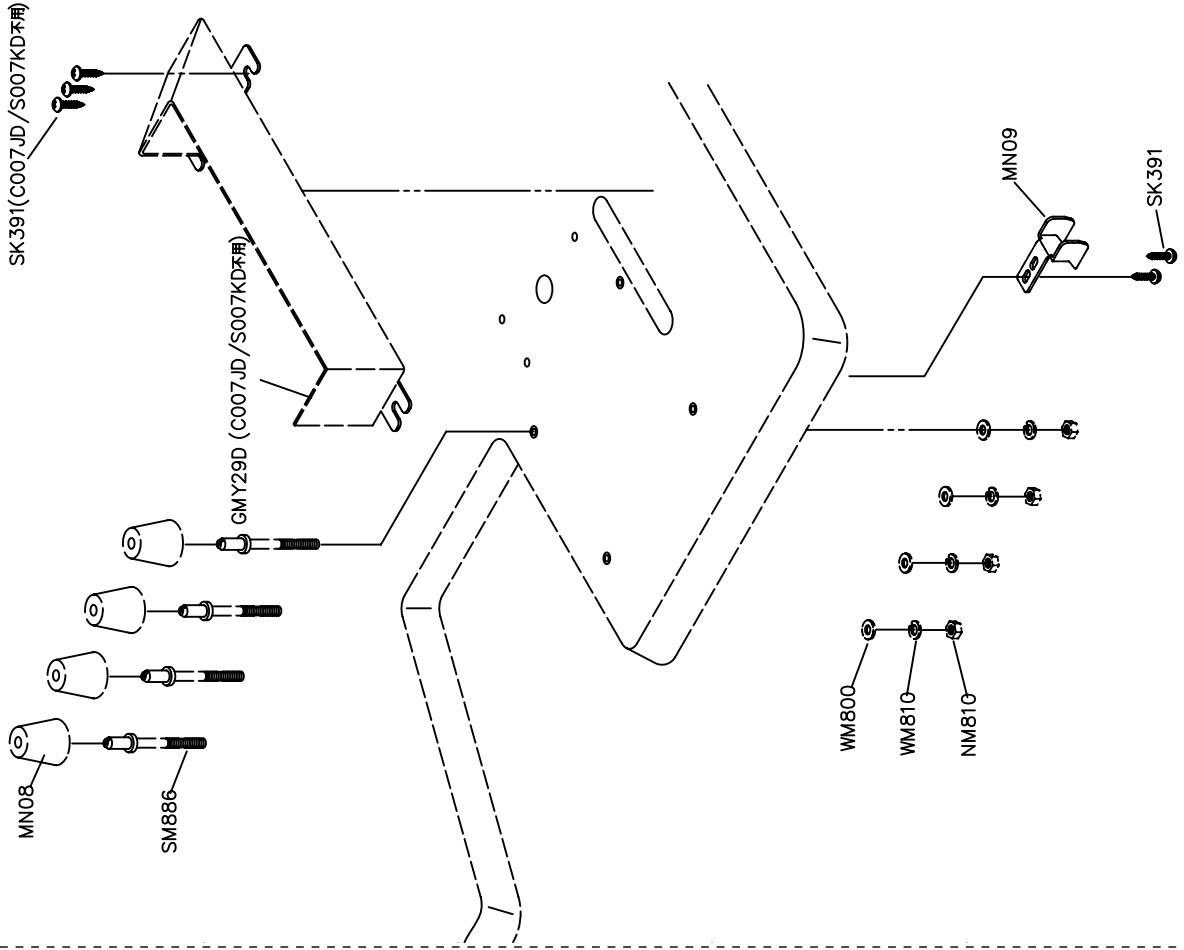


**PARTS LIST FOR MN (1) GROUP**

PARTS LIST FOR SL GROUP

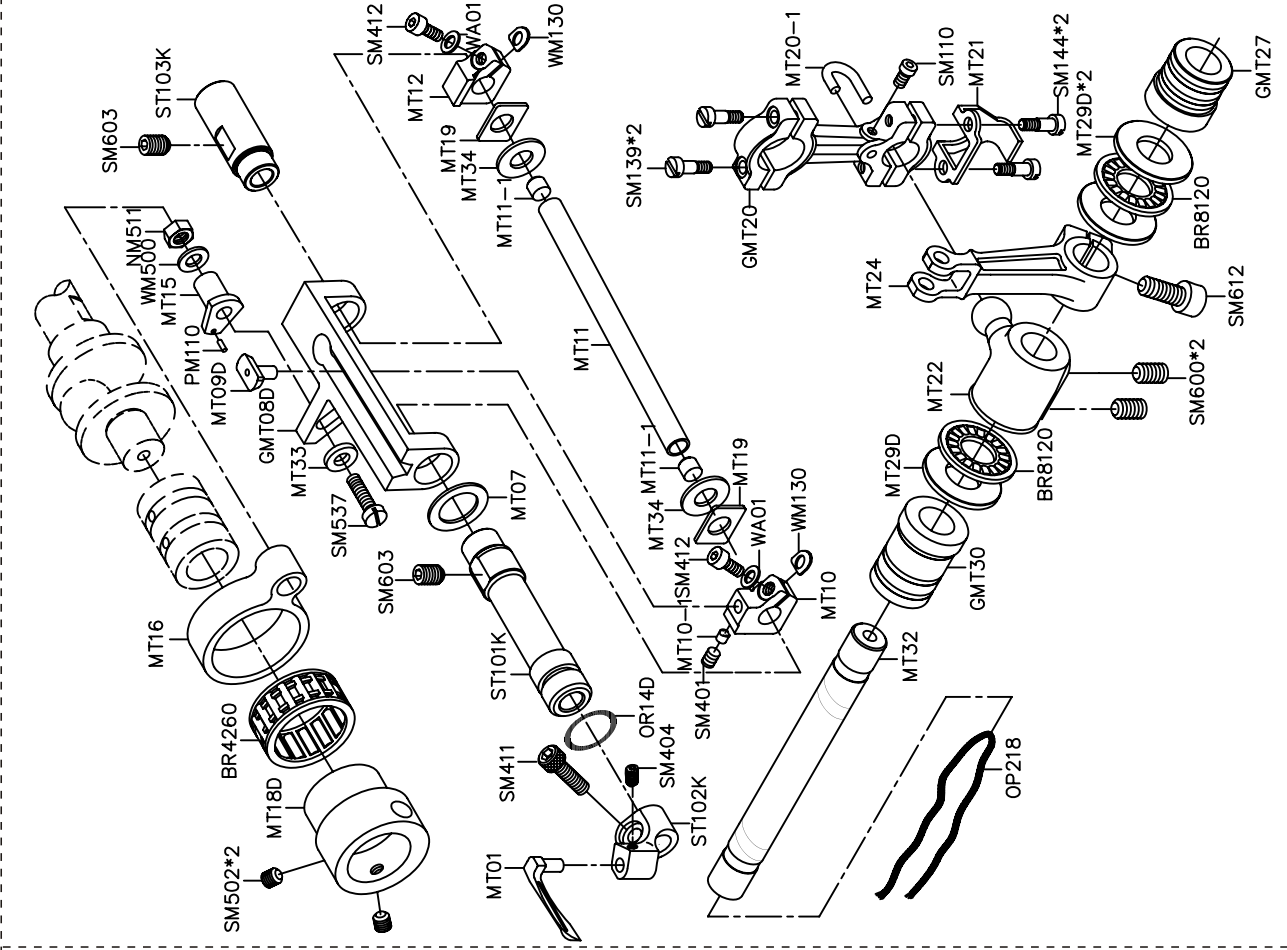
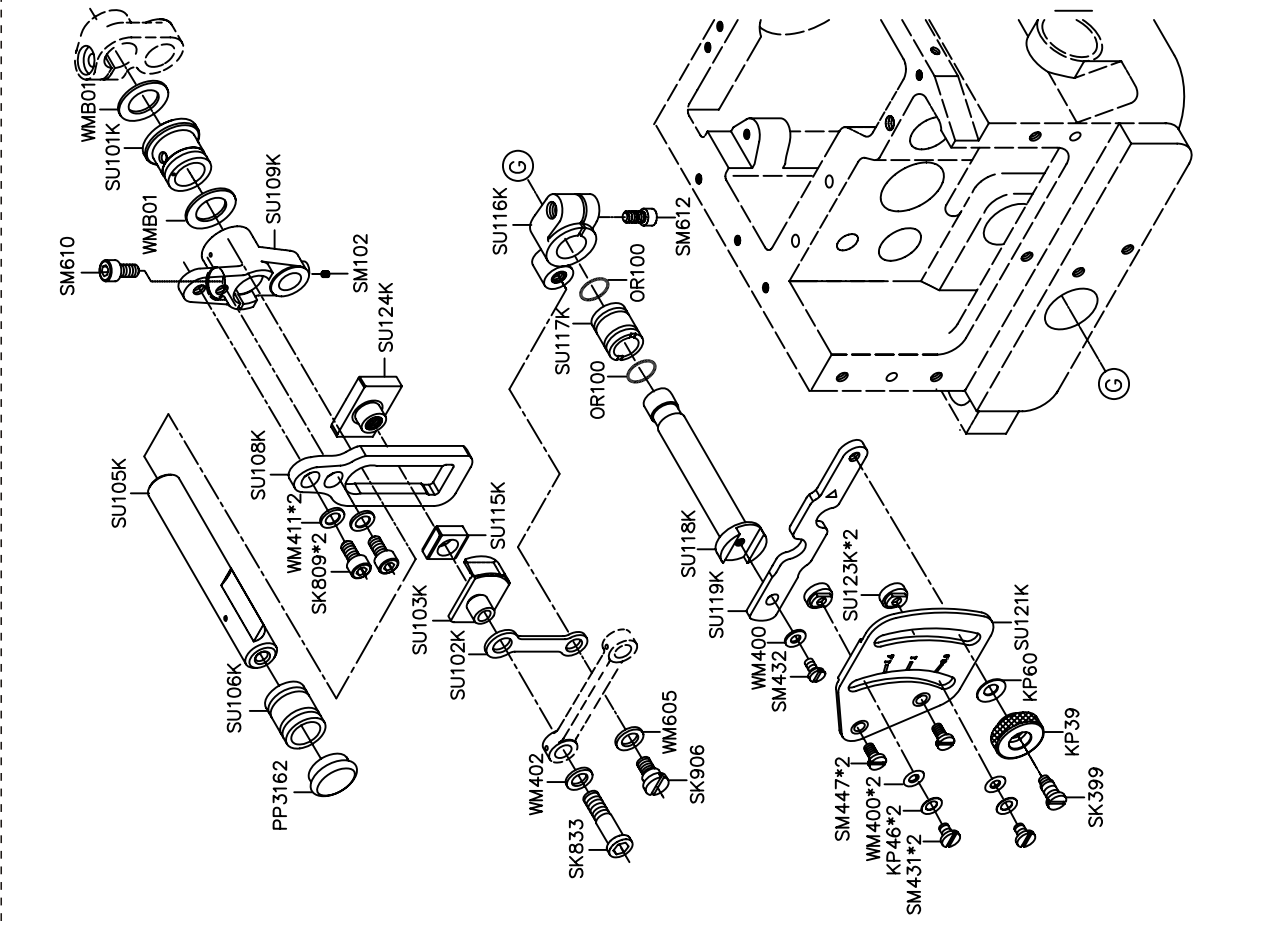


PARTS LIST FOR MN (2) GROUP

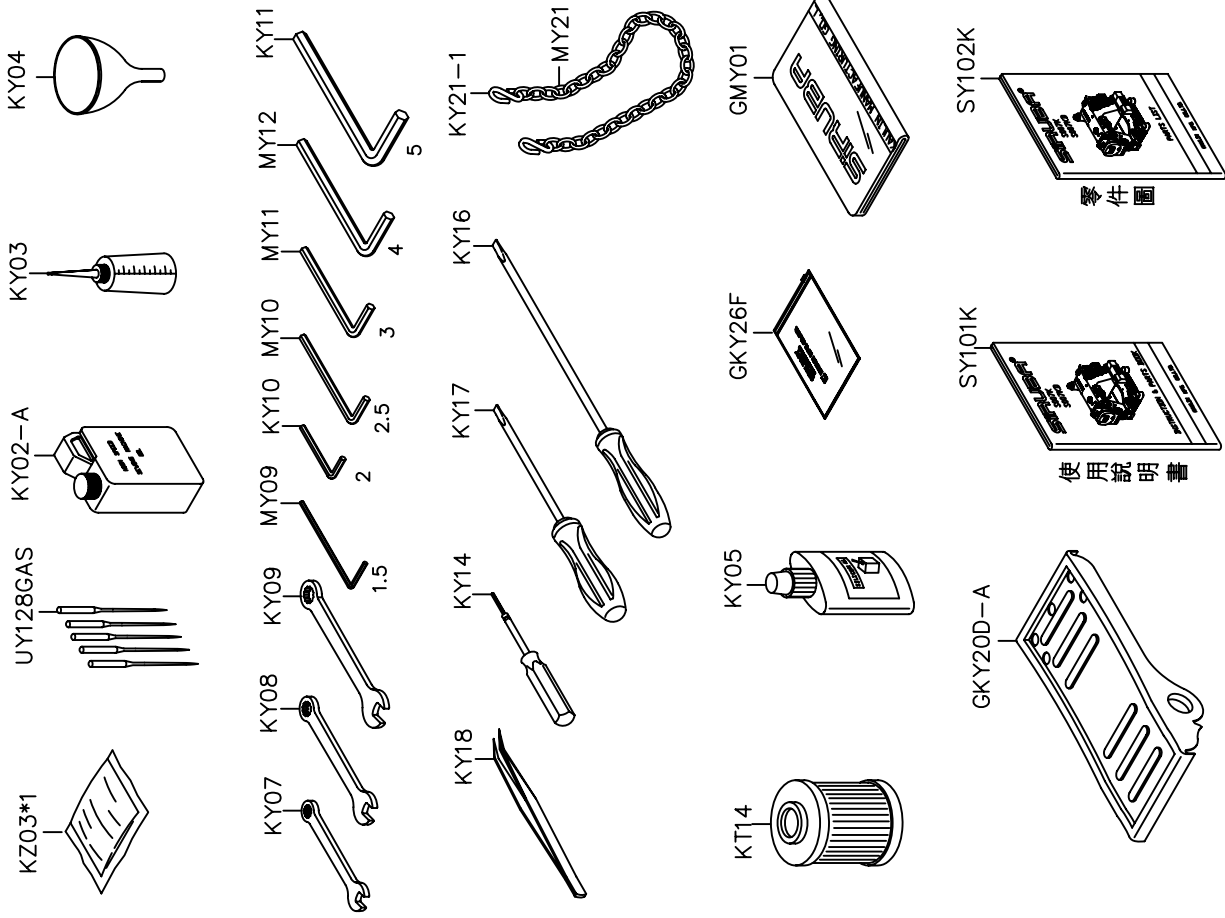
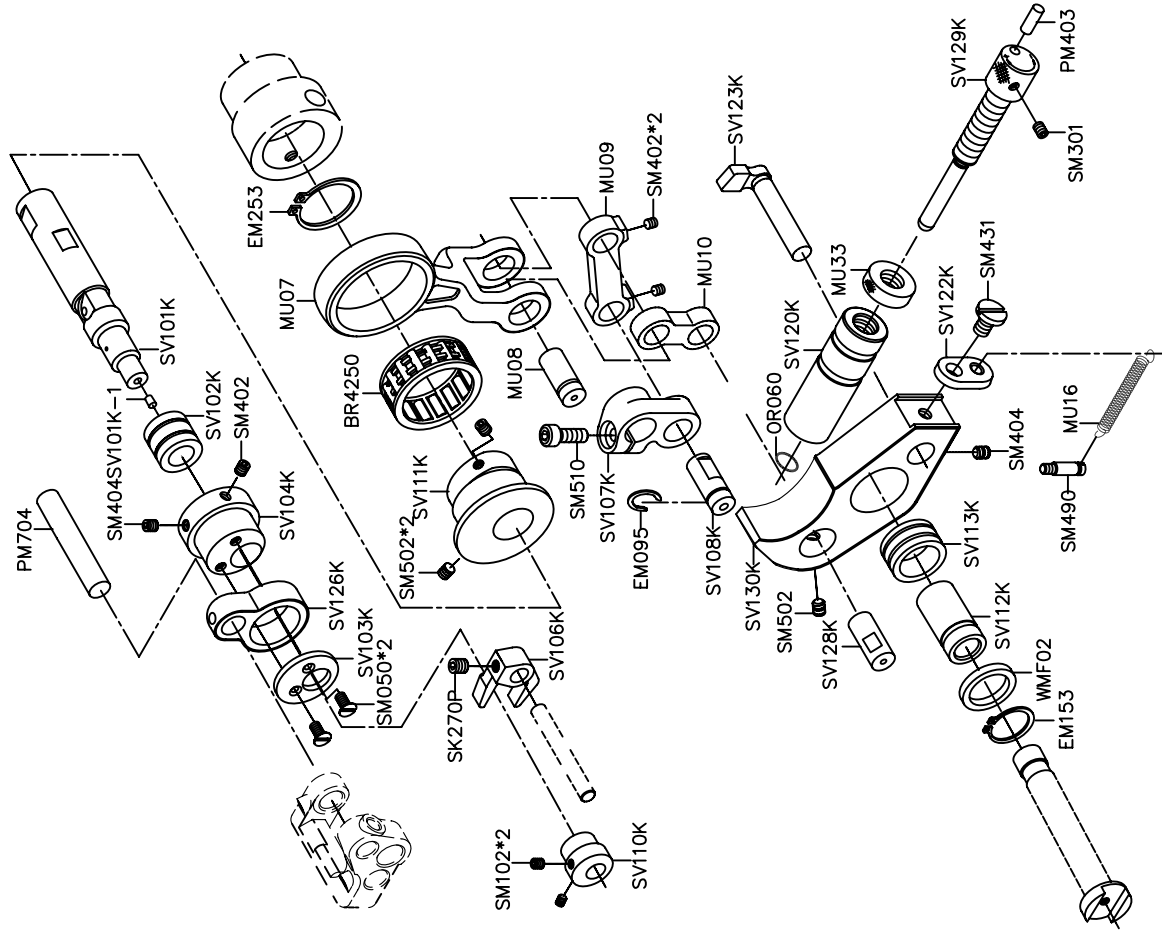


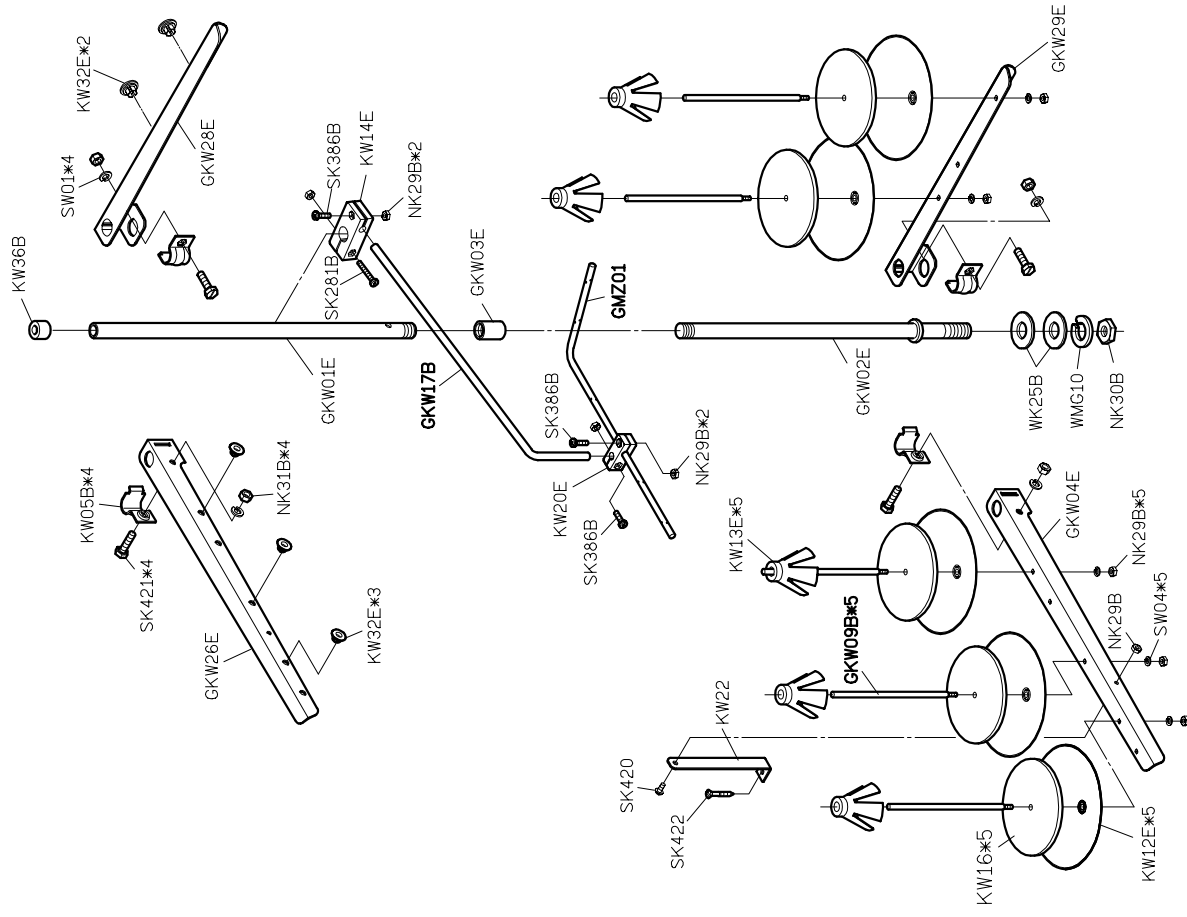
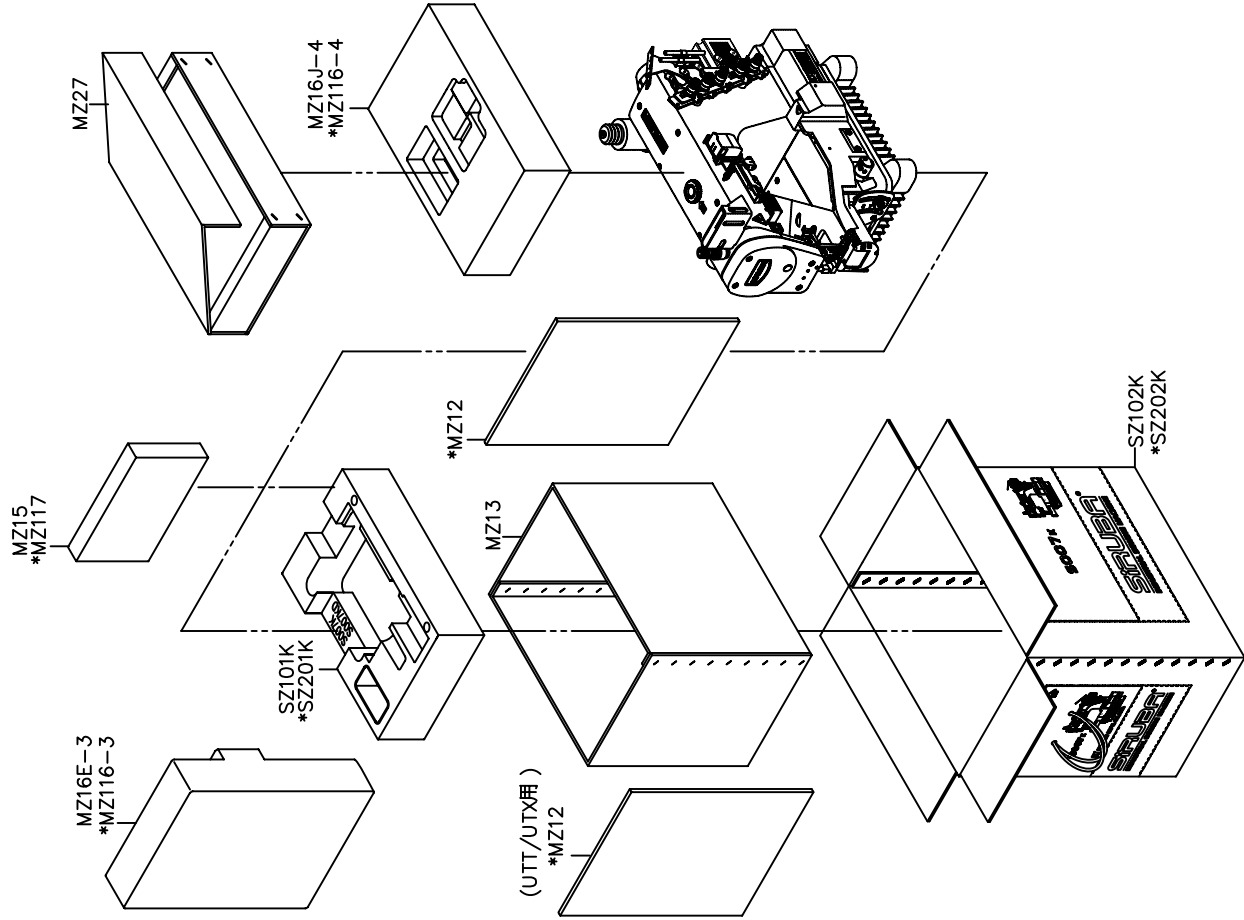














# S007K/ S007KD

高林股份有限公司 KAULIN MFG. CO., LTD.